

NOTE:
 1-UNLESS OTHERWISE SPECIFIED, ALL RESISTORS IN OHMS,
 ALL CAPACITORS IN MICROFARADS, ALL RELAYS DEENERGIZED.
 2-USE WITH ASSY 210100010, 210101410, & 210101710

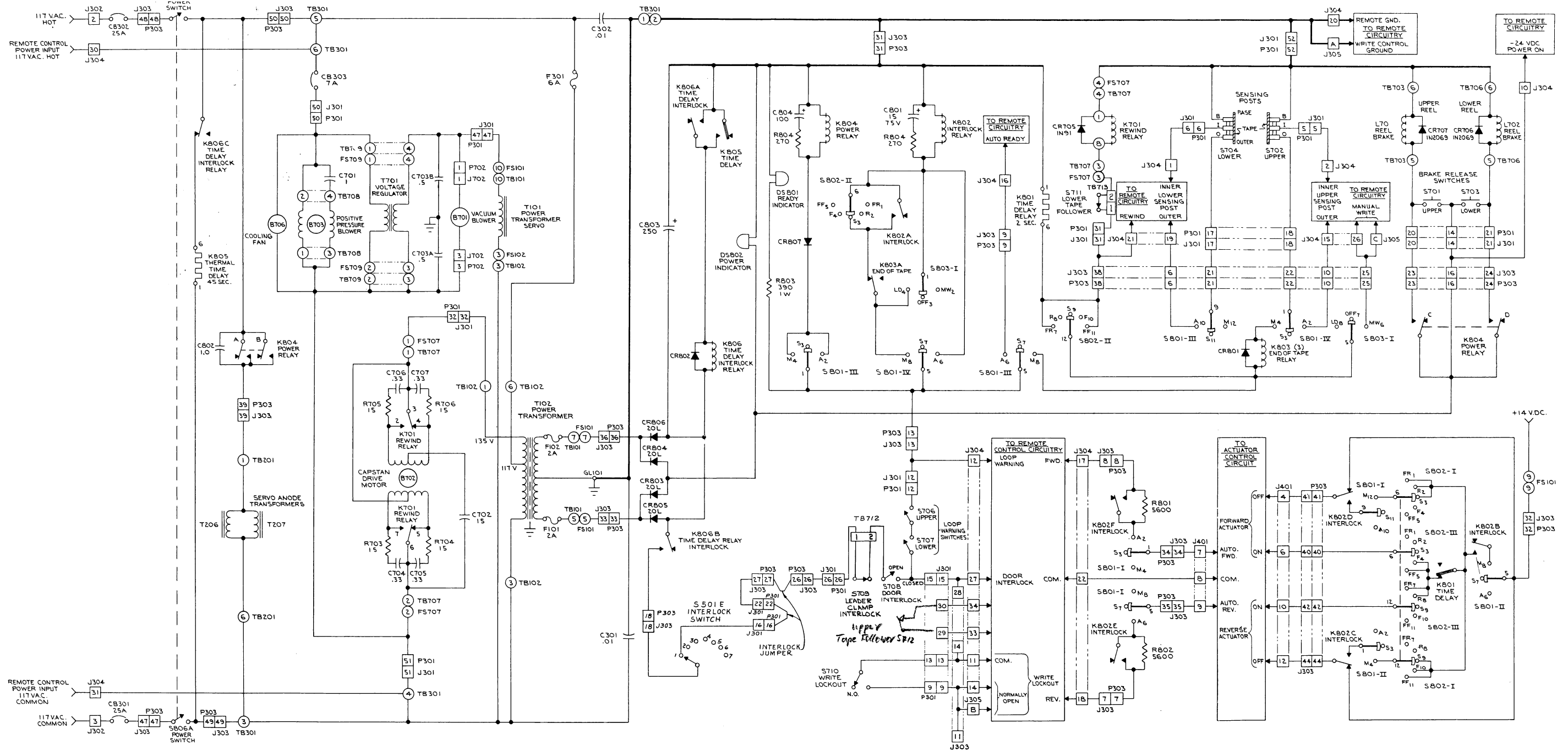


Figure 8-2
 Schematic Diagram,
 Composite Control System