

(UNLESS OTHERWISE INDICATED),

1. ALL RESISTOR VALUES IN OHMS, 1/2 WATT. ± 10 %.
2. CAPACITOR VALUES IN MICROFARADS.
3. ALL TRANSISTORS ARE 2N438

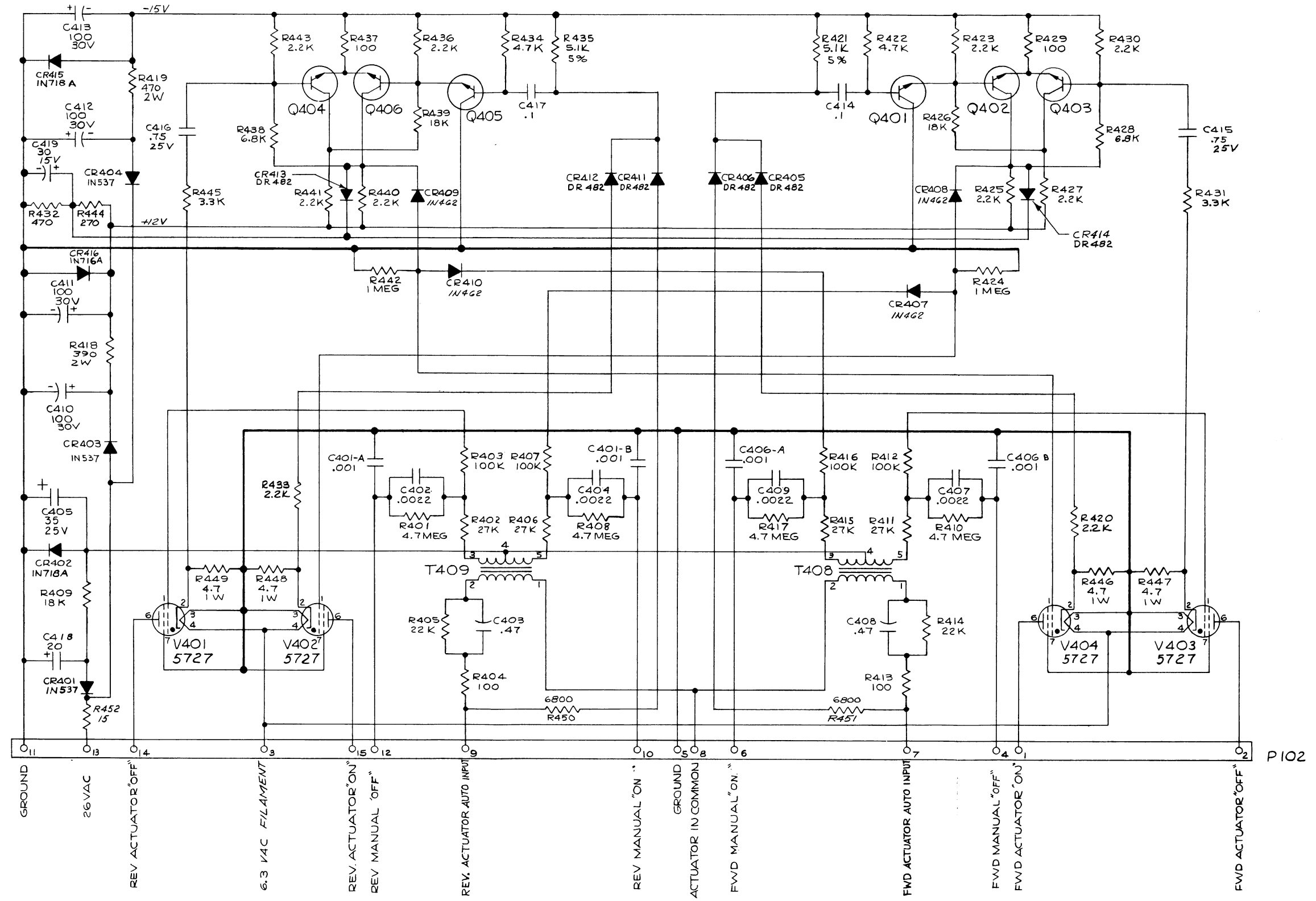
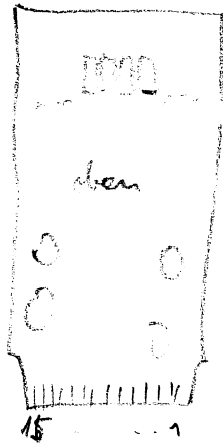


Figure 8-4
Schematic Diagram,
Actuator Control Unit AC-400