

- NOTES
1. RESISTOR VALUES IN OHMS 1/2 WATT, ±5%.
  2. CAPACITOR VALUES IN MICROFARADS.
  3. DIODES ARE PART NO. 013-198
- UNLESS OTHERWISE NOTED

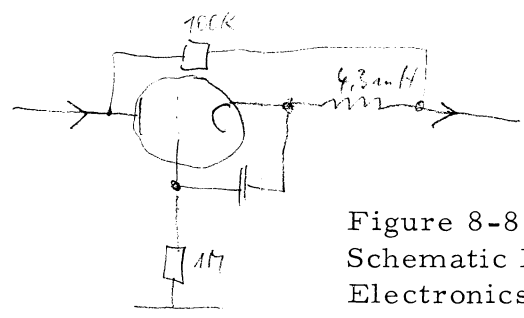
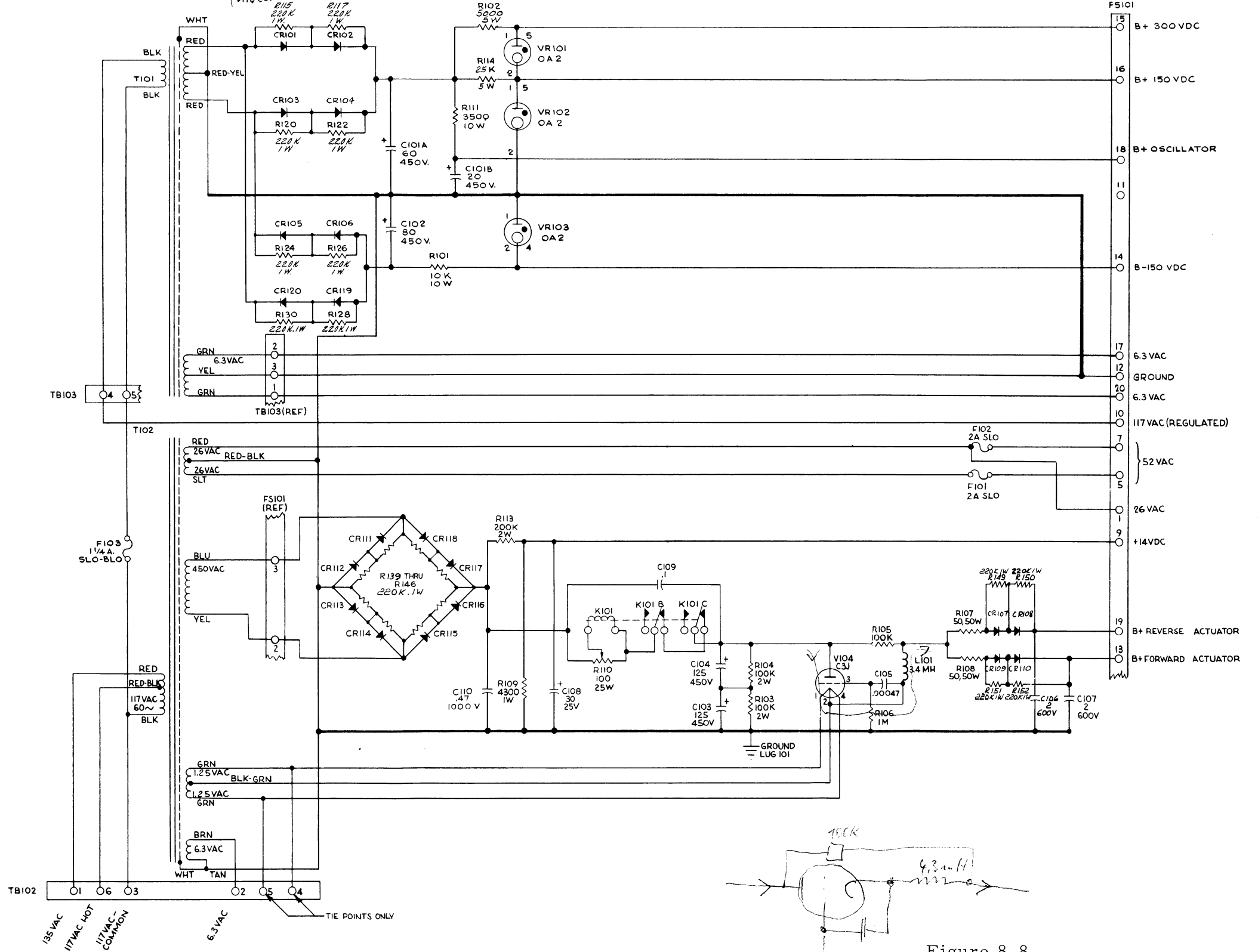


Figure 8-8  
Schematic Diagram,  
Electronics Power Supply PS-100