

1. CIRCUIT FUNCTION: CURRENT FROM A PHOTO VOLTAIC CELL, CONNECTED TO THE INPUT, INCREASES WHEN A METALIZED MARKER ON THE TAPE REFLECTS LIGHT ONTO THE CELL. AMPLIFICATION IS PROVIDED SO THAT (1) A RELAY IS OPERATED AND (2) A LEVEL CHANGE FROM 0-VOLTS TO +10 VOLTS OCCURS. THESE OPERATIONS CONTINUE FOR THE DURATION OF THE MARKER.
2. CIRCUIT PATHS EXTERNAL TO THE PACKETS ARE LOCATED ON THE BASE CARD.
3. FOR ASSEMBLY SEE DWG. 310058910

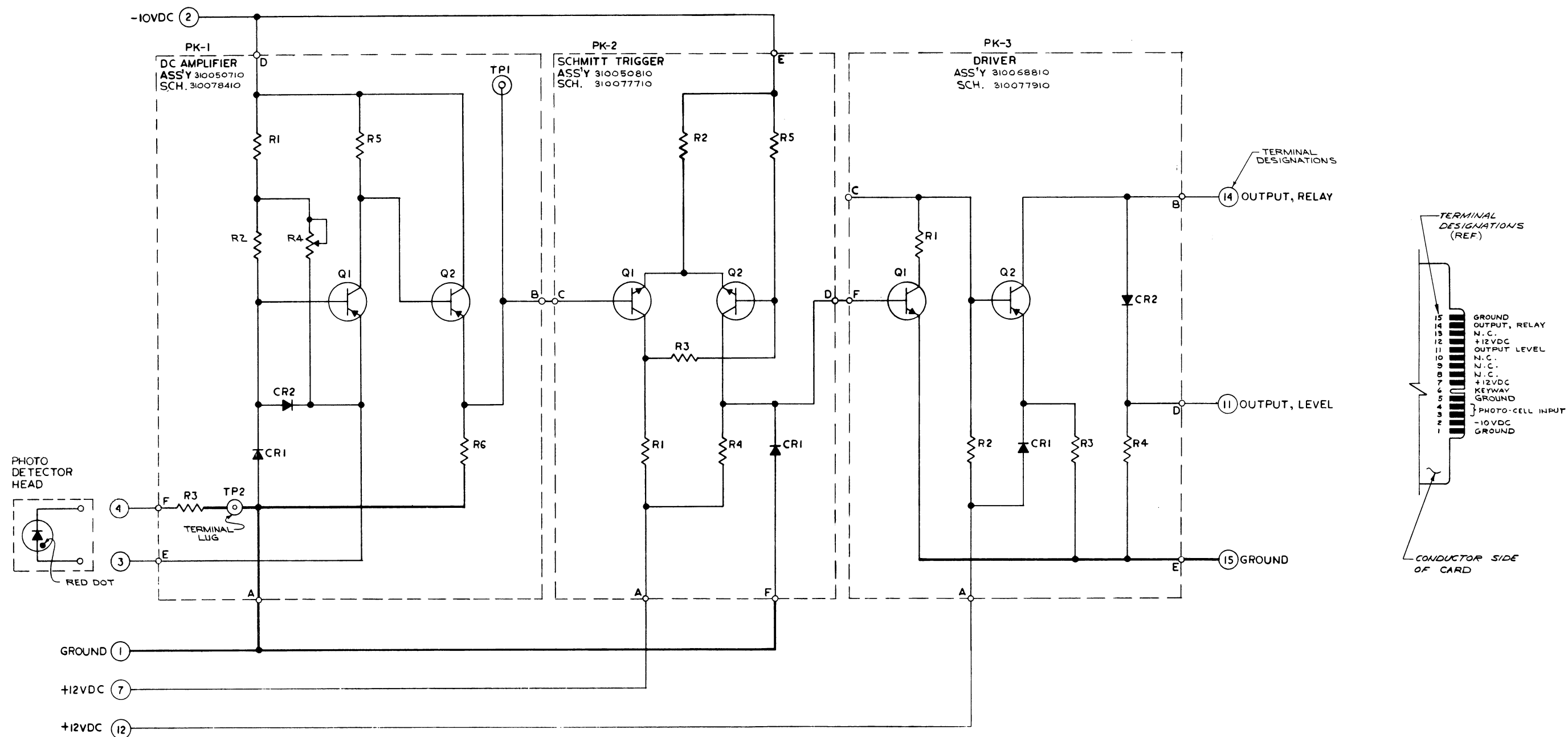


Figure 8-13
Schematic Diagram,
Photosense Base Card
(Used with Photosense Kits
31 01080 10 and 31 01083 10)