

1. FOR LEVEL OUTPUT USE JUMPER.

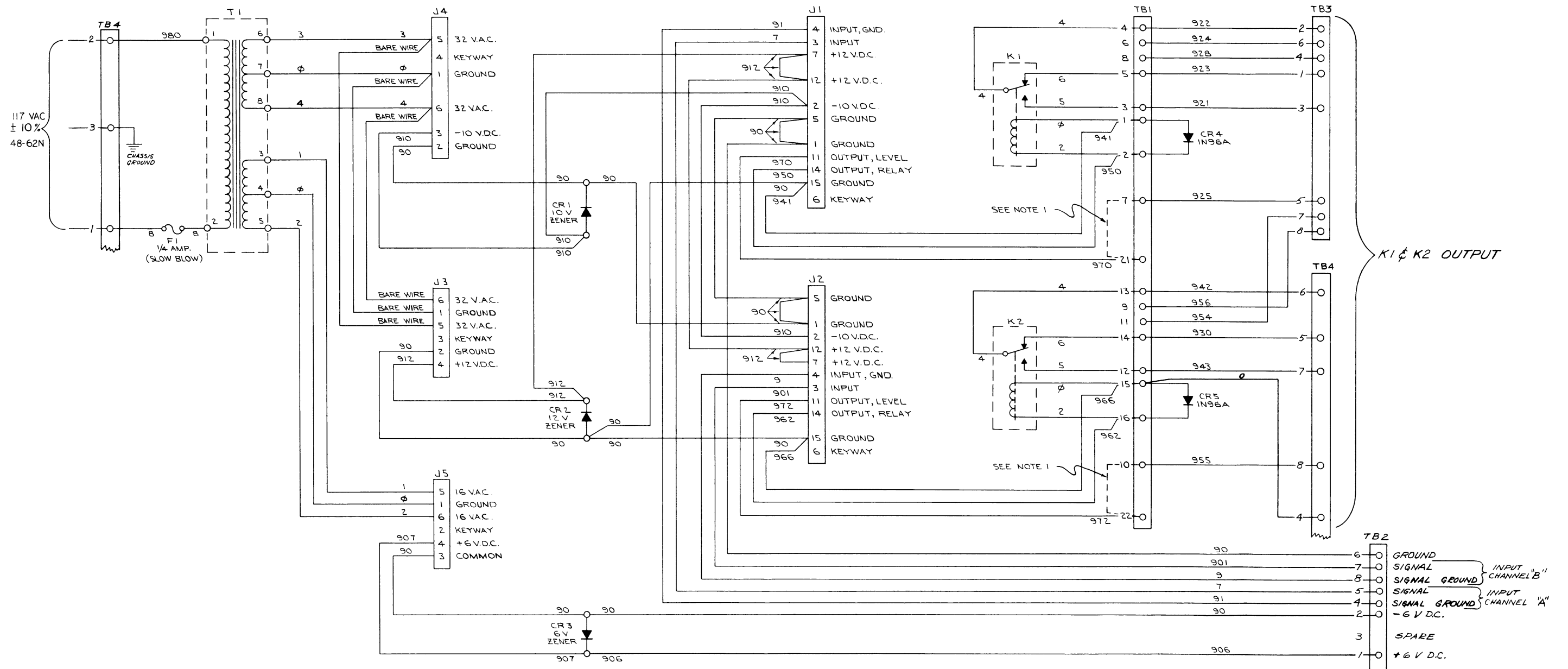


Figure 8-16  
Schematic Diagram,  
Photosense Chassis Wiring  
(Used with Photosense Kits  
31 01079 10, 31 01080 10,  
and 31 01081 10)