

Empfohlene Ersatzteilliste für OERTLICHES Gebrauch

Pufferter Consoleldrucker

Serie 5, 333 Zeilen/Minute, 160 Spalt., 50 Hz, Niedergeschwindigkeit

- | | |
|---------------|----------------------------------|
| 1 - 62435, | Stufenschalter |
| 2 - 68623, | Mehrstromversorgung |
| 3 - 62678G2, | 36V Stromversorgung |
| 4 - 50629G1, | Druckeranordnung |
| 5 - 50633G2, | Gestellanordnung |
| 6 - 61617, | Formatanordnung |
| 7 - 63091G1, | Papierziehenanordnung |
| 8 - --0-- | Papiertreibanordnung (61649G1) |
| 9 - --0-- | Joch-und-Bandanordnung (61674G3) |
| 10 - 77582G2, | Lampen-und-Diodenanordnung |
| 11 - 62756, | Kondensatorsatz |
| 12 - 62770, | Hammerkorb |
| 13 - 62950, | Kartenliste, Hammerkorb |
| 14 - 50953G1, | Grenzflächenanordnung |
| 15 - 51056G1, | Logische Auftastanordnung |
| 16 - | Spezielle Werkzeuge |

ANELEX EMPFOHLENE OERTLICHE ERSATZTEILLISTE

62435

für STUEFENSCHALTERANORDNUNG 62435

15. Februar 1965

| Fabrikant oder Verkäufer | Teilnummer | B E S C H R E I B U N G | Einheiten pro Anordnung | Einheits- preis | Ersatz- teile | Gesamt- preis |
|--------------------------------|-------------|---|-------------------------------|--------------------|------------------|------------------|
| ANELEX | 167-201-002 | Diode IN537 | 5 | .65 | 2 | 1.30 |
| ANELEX | 387-111-057 | Widerstand, 220 Ω , 1W, 5% | 1 | .15 | 1 | .15 |
| ANELEX | 384-123-001 | Relais, ANI-522-XAX-3 | 1 | 11.90 | 1 | 11.90 |
| ANELEX | 384-103-011 | Relais, KA5DY 6 | 1 | 3.80 | 1 | 3.80 |
| ANELEX | 384-103-012 | Relais, KA5DY 12 | 2 | 3.80 | 1 | 3.80 |
| ANELEX | 384-105-012 | Relais, KA14DY 12 | 1 | 4.25 | 1 | 4.25 |
| ANELEX | 384-105-003 | Relais, KA14AY 24 | 2 | 4.81 | 1 | 4.81 |
| ANELEX | 384-104-011 | Relais, KA11DY 6 | 1 | 4.25 | 1 | 4.25 |
| ANELEX | 134-901-001 | Kondensator, 612G-105-0-1-L- | 4 | 6.85 | 1 | 6.85 |
| ANELEX | 387-111-069 | Widerstand, 680 Ω , 1W, 5% ¹⁵ | 1 | .16 | 2 | .32 |
| ANELEX | 420-115-003 | Fernständer, 1995-C | 6 | .25 | 3 | .75 |
| ANELEX | 203-102-013 | Sicherung, AGU-1 | 2 | .20 | 10 | 2.00 |
| ANELEX | 302-202-002 | Patrone, 39-28-1471 | 4 | 1.45 | 1 | 1.45 |
| ANELEX | 387-112-045 | Widerstand, 68 ohm, 2W, 5% | 3 | .40 | 1 | .40 |
| ANELEX | 384-103-013 | Relais KA5DY24 | 1 | 3.20 | 1 | 3.20 |
| | | | | | | |
| | | | | | | |
| | | | | | | |
| | | | | | | |
| | | | | | | |

... werden.
... on, ...

ANELEX EMPFOHLENE OERTLICHE ERSATZTEILLISTE

68513/68623

für STROMVERSORGUNGSANORDNUNG

15. Februar 1965

| Fabrikant oder Verkäufer | Teilnummer | B E S C H R E I B U N G | Einheiten pro Anordnung | Einheits- preis | Ersatz- teile | Gesamt- preis |
|--------------------------------|---------------|-------------------------------|-------------------------------|--------------------|------------------|------------------|
| ANELEX | 169-202-038 | Diode, 1/4 - M47Z5 | 1 | 5.45 | 1 | 5.45 |
| ANELEX | 203-122-023 | Sicherung, 5A, 250V, FNM | 1 | .30 | 10 | 3.00 |
| ANELEX | 203-129-010 | Sicherung, 10A, 32V, AGU | 2 | .12 | 10 | 1.20 |
| ANELEX | 203-116-005 | Sicherung, 15A, 32V, BAN | 1 | .13 | 10 | 1.30 |
| ANELEX | 436-134-001 | Transistor, 2N1306 | 1 | 1.40 | 1 | 1.40 |
| ANELEX | 436-135-001 | Transistor, 2N1307 | 2 | 1.40 | 1 | 1.40 |
| ANELEX | 436-511-001 | Transistor, 2N2082 | 2 | 4.00 | 2 | 8.00 |
| ANELEX | 436-501-001 | Transistor, 2N1502 | 3 | 2.30 | 1 | 2.30 |
| ANELEX | 168-113-001 | Diode, 1N958 | 1 | 3.20 | 1 | 3.20 |
| ANELEX | 168-106-001 | Diode, 1N1220 | 12 | 1.05 | 2 | 2.10 |
| ANELEX | 134-604-028 | Kondensator, 033 mf, 600 V | 1 | .45 | 1 | .45 |
| ANELEX | 134-154-004 | Kondensator, 1000 mf, 15W-VGs | 2 | 3.45 | 1 | 3.45 |
| ANELEX | 134-155-008 | Kondensator, 1000 mf, 25W-VGs | 1 | 3.15 | 1 | 3.15 |
| ANELEX | 134-155-006 | Kondensator, 250 mf, 25W-VGs | 3 | 2.65 | 1 | 2.65 |
| ANELEX | 134-204-011 | Kondensator, 250 mf, 50W-VGs | 3 | 1.25 | 1 | 1.25 |
| MALORY | 134-156-001 | Kondensator, 46.5Kmf, 25V-Gs | 1 | 23.45 | 1 | 23.45 |
| MALORY | 134-156-002 | Kondensator, 55Kmf, 15VGs | 1 | 23.50 | 1 | 23.50 |
| WESTINGHOUSE | 1N1185 (302C) | Gleichrichter | 2 | 8.15 | 1 | 8.15 |
| WESTINGHOUSE | 1N1192 (303P) | Gleichrichter | 4 | 4.20 | 2 | 8.40 |
| TRANSITRON | T-1-C | Diode | 4 | .35 | 2 | .70 |

Die Preise sind in U.S. Dollars zu verstehen.
 Preise sind in Boston, Mass.

ANELEX EMPFOHLENE OERTLICHE ERSATZTEILLISTE

51056G1

für LOGISCHE AUFTASTANORDNUNG

15. Februar 1965

| Fabrikant oder Verkäufer | Teilnummer | B E S C H R E I B U N G | Einheiten pro Anordnung | Einheits- preis | Ersatz- teile | Gesamt- preis |
|--------------------------------|------------|-------------------------------|-------------------------------|--------------------|------------------|------------------|
| ANELEX | 34051 | Register | 29 | 22.00 | 2 | 44.00 |
| ANELEX | 34052 | Langeinzelkipp | 4 | 29.95 | 1 | 29.95 |
| ANELEX | 34054 | Kerntreiber 200 | 12 | 30.20 | 2 | 60.40 |
| ANELEX | 34055 | Kerntreiber 400 | 8 | 40.20 | 1 | 40.20 |
| ANELEX | 34056 | Kerntreiberladung | 7 | 57.50 | 1 | 57.50 |
| ANELEX | 34057 | A NOR 5 | 26 | 20.55 | 2 | 41.10 |
| ANELEX | 34058 | B NOR 5 | 11 | 17.85 | 2 | 35.70 |
| ANELEX | 34072 | A Auslöseladung | 3 | 22.70 | 1 | 22.70 |
| ANELEX | 34080 | Schnelleinzelkipp | 6 | 48.35 | 1 | 48.35 |
| ANELEX | 34097 | Impulszentrale | 2 | 22.10 | 1 | 22.10 |
| ANELEX | 34099 | C NOR 5 | 22 | 21.65 | 2 | 43.30 |
| ANELEX | 34100 | C NOR 10 | 3 | 39.00 | 1 | 39.00 |
| ANELEX | 34304 | Gleichstromschalter | 2 | 21.10 | 1 | 21.10 |
| ANELEX | 34307 | Fernzeitelement | 1 | 79.35 | 1 | 79.35 |
| ANELEX | 34326 | Ablese/Schreibsinnverstärker | 14 | 24.85 | 2 | 49.70 |
| ANELEX | 34509 | Sinnverstärkerstrobegenerator | 2 | 31.70 | 1 | 31.70 |
| ANELEX | 34704 | C NOR 20 | 5 | 36.55 | 1 | 36.55 |
| ANELEX | 34851 | J NOR | 1 | 27.65 | 1 | 27.65 |
| ANELEX | 34852 | K NOR | 3 | 23.30 | 1 | 23.30 |
| ANELEX | 34866 | 18-20 Jarmentreiber | 2 | 53.95 | 1 | 53.95 |
| ANELEX | 34021 | 18-1500 | 6 | 23.25 | 1 | 23.25 |
| ANELEX | 34022 | 18-1500 | 3 | 23.65 | 1 | 23.65 |

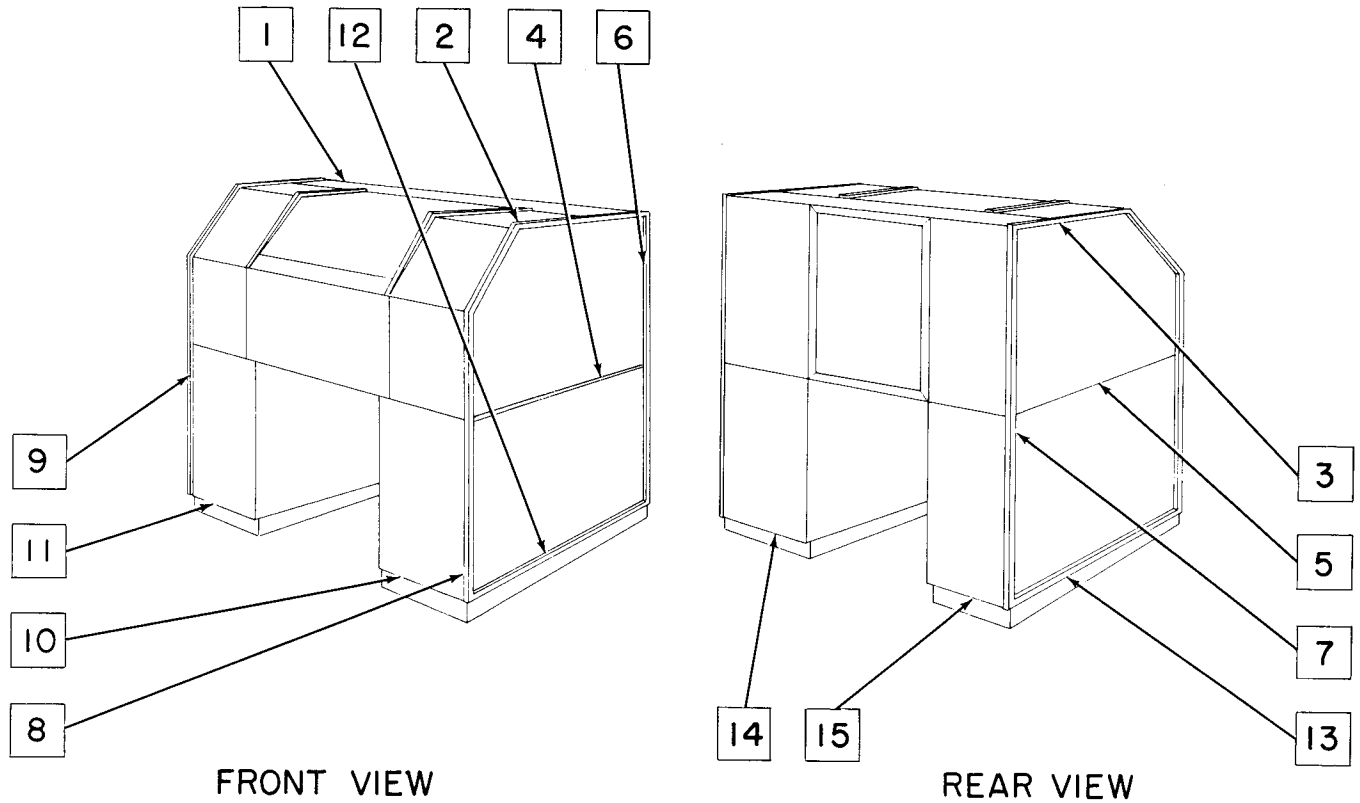
20

frei an Bord

1000.

1000.

ORDER INFORMATION FOR "TRIM" USED ON SERIES 5 UNBUFFERED 80/120/160 COLUMNS

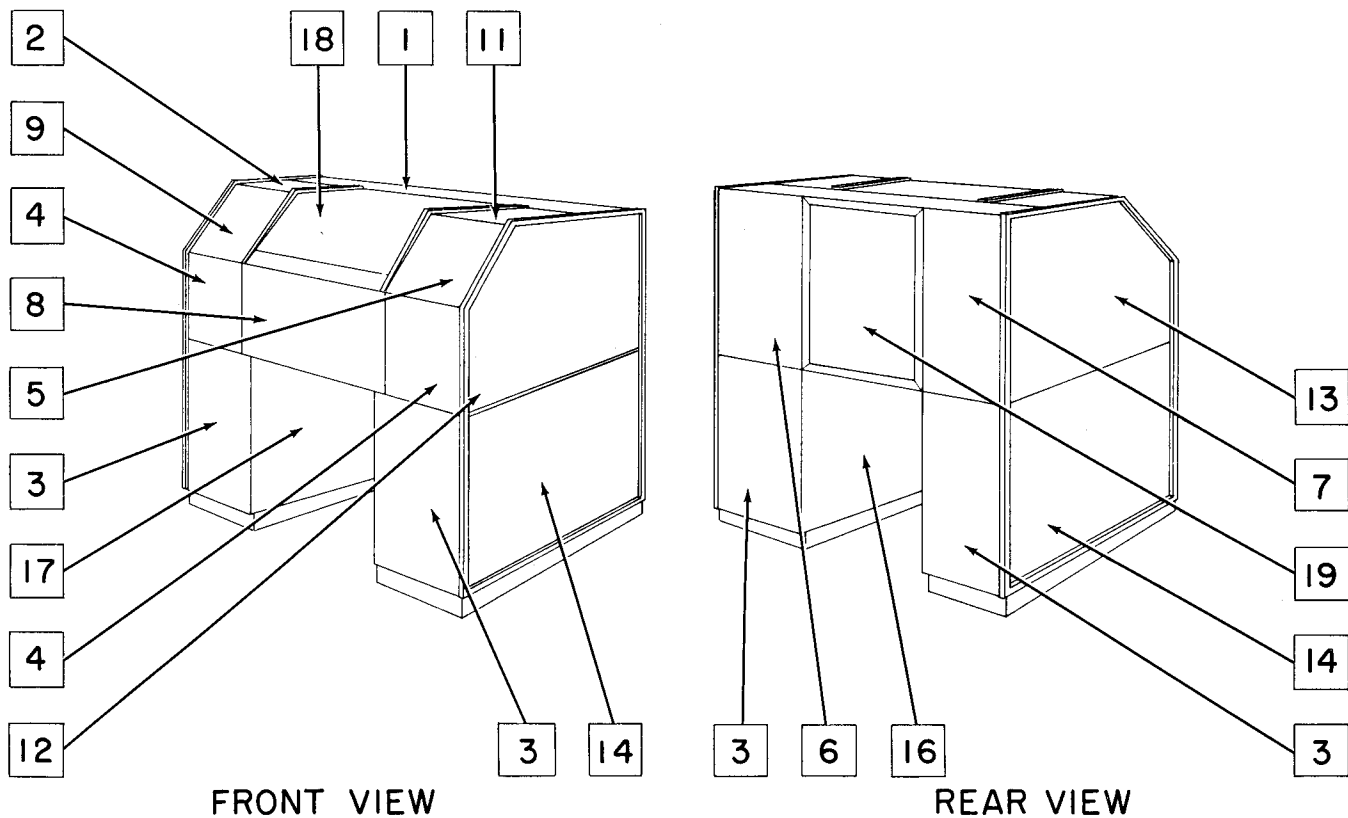


| <u>Index No.</u> | <u>80 Columns</u> | <u>120/160 Columns</u> | <u>Description</u> |
|------------------|-------------------|----------------------------|---------------------------|
| 1 | 76681 | 76615 | Trim, Top Rear |
| 2 | 62626 | 62626 | Trim, Upper Right |
| 3 | 62627 | 62627 | Trim, Upper Left |
| 4 | 62577 | 62577 | Trim, Center, Side, R. H. |
| 5 | 62577 | 62577 | Trim, Center, Side, L. H. |
| 6 | 62576 | 62576 | Trim, Rear, Side, R. H. |
| 7 | 62575 | 62575 | Trim, Rear, Side, L. H. |
| 8 | 76619 | 76619 | Trim, Lower Front, R. H. |
| 9 | 62579 | 62579 | Trim, Lower Front, L. H. |
| 10 | 62609 | 62609 | Trim, Bottom Front, R. H. |
| 11 | 62610 | 62610 | Trim, Bottom Front, L. H. |
| 12 | 62611 | 62611 | Trim, Bottom Side, R. H. |
| 13 | 62611 | 62611 | Trim, Bottom Side, L. H. |
| 14 | 62610 | 62610 | Trim, Bottom Rear, R. H. |
| 15 | 62609 | 62609 | Trim, Bottom Rear, L. H. |

When ordering be sure to specify the following:

- A the equipment's serial number
- B front or rear; left-hand or right-hand.

ORDER INFORMATION FOR "PANELS" USED ON SERIES 5 UNBUFFERED 80/120/160 COLUMNS

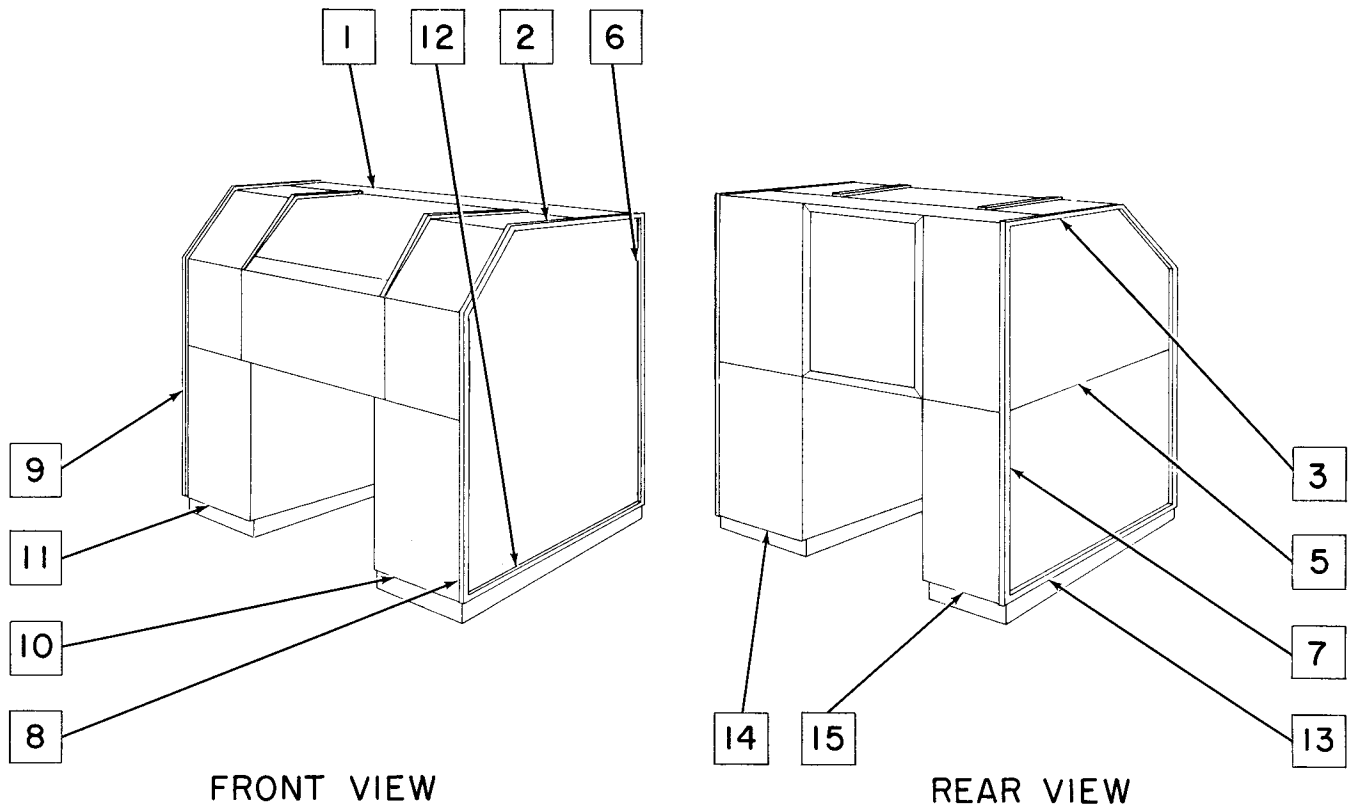


| INDEX NO. | PART NO. SERIES 5-80 | PART NO. SERIES 5-120/160 | DESCRIPTION | UNITS/ SYST. |
|-----------|-------------------------|------------------------------|---------------------------------------|-----------------|
| 1 | 62570 | 62644 | Panel Top Rear | 1 |
| 2 | 62593 | 62593 | Panel Top L. H. | 1 |
| 3 | 62572 | 62572 | Panel Lower Front/Rear R. H. /L. H. * | 4 |
| 4 | 62567 | 62567 | Panel Upper Front R. H. /L. H. * | 2 |
| 5 | 62568 | 62568 | Panel Upper R. H. | 1 |
| 6 | 62554 | 62554 | Panel Upper Rear R. H. | 1 |
| 7 | 62617 | 62617 | Panel Upper Rear L. H. | 1 |
| 8 | 62640 | 62566 | Panel Canopy | 1 |
| 9 | 62613 | 62613 | Panel Control Blank | 1 |
| 10 | | | | |
| 11 | 62586 | 62586 | Panel Top R. H. | 1 |
| 12 | 62578 | 62578 | Panel Side, Upper Right | 1 |
| 13 | 62546 | 62546 | Panel Upper L. H. * | 1 |
| 14 | 62584 | 62584 | Panel Lower R. H. /L. H. | 2 |
| 15 | | | | |
| 16 | 62990 | 62590 | Panel Inside R. H. | 1 |
| 17 | 62989 | 62589 | Panel Inside L. H. | 1 |
| 18 | 62564 | 62641 | Plexiglas, Front | 1 |
| 19 | 62625 | 62648 | Plexiglas, Rear | 1 |

When ordering be sure to specify the following:

- A the equipment's serial number
- B front or rear; left-hand or right-hand
- C 3" x 5" sample paint chip, 2 pieces per color.

ORDER INFORMATION FOR "TRIM" USED ON SERIES 5 BUFFERED 80/120/160 COLUMNS

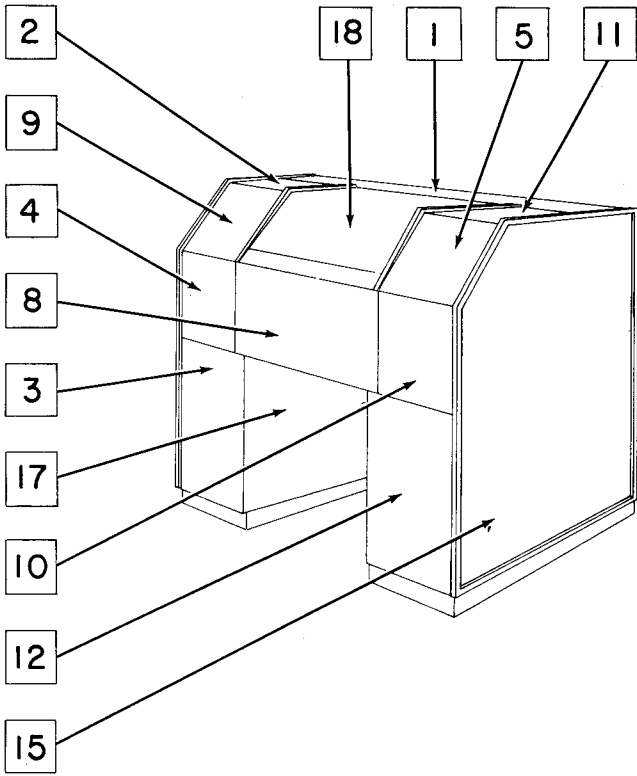


| <u>Index No.</u> | <u>80 Columns</u> | <u>120/160 Columns</u> | <u>Description</u> |
|------------------|-------------------------|------------------------|---------------------------|
| 1 | 76615 | 76618 | Trim, Top Rear |
| 2 | 62626 | 62626 | Trim, Upper Right |
| 3 | 62627 | 62627 | Trim, Upper Left |
| 4 | Not on Buffered Systems | | Trim, Center, Side, R. H. |
| 5 | 62577 | 62577 | Trim, Center, Side, L. H. |
| 6 | 62576 | 62576 | Trim, Rear, Side, R. H. |
| 7 | 62575 | 62575 | Trim, Rear, Side, L. H. |
| 8 | 76619 | 76619 | Trim, Lower Front, R. H. |
| 9 | 62579 | 62579 | Trim, Lower Front, L. H. |
| 10 | 62608 | 62608 | Trim, Bottom Front, R. H. |
| 11 | 62610 | 62610 | Trim, Bottom Front, L. H. |
| 12 | 62611 | 62611 | Trim, Bottom Side, R. H. |
| 13 | 62611 | 62611 | Trim, Bottom Side, L. H. |
| 14 | 62607 | 62607 | Trim, Bottom Rear, R. H. |
| 15 | 62609 | 62609 | Trim, Bottom Rear, L. H. |

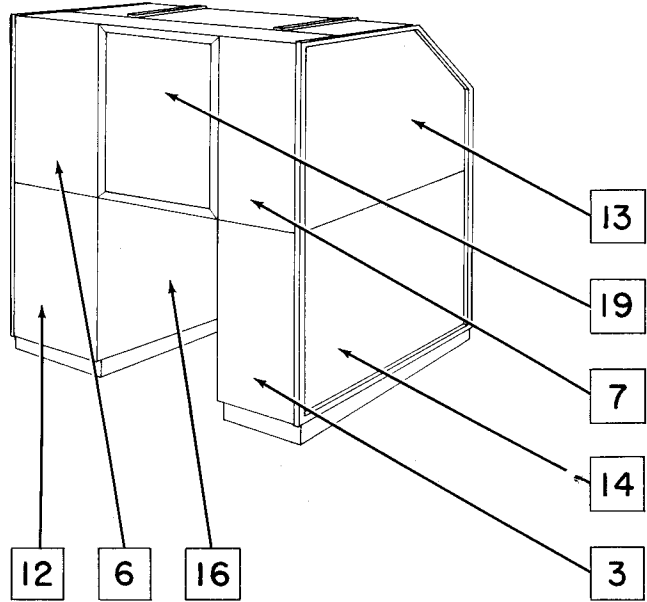
When ordering be sure to specify the following:

- A the equipment's serial number
- B front or rear; left-hand or right-hand.

ORDER INFORMATION FOR "PANELS" USED ON SERIES 5 BUFFERED 80/120/160 COLUMNS



FRONT VIEW



REAR VIEW

| <u>INDEX NO.</u> | <u>PART NO. SERIES 5-80</u> | <u>PART NO. SERIES 5-120/160</u> | <u>DESCRIPTION</u> | <u>UNITS/ SYST.</u> |
|------------------|-----------------------------|----------------------------------|--------------------------------|---------------------|
| 1 | 62644 | 62545 | Panel Top Rear | 1 |
| 2 | 62593 | 62593 | Panel Top L. H. | 1 |
| 3 | 62572 | 62572 | Panel Lower Front/Rear* | 2 |
| 4 | 62567 | 62567 | Panel Upper Front L. H. | 1 |
| 5 | 62569 | 62569 | Panel Upper R. H. | 1 |
| 6 | 62618 | 62618 | Panel Upper Rear R. H. | 1 |
| 7 | 62617 | 62617 | Panel Upper Rear L. H. | 1 |
| 8 | 62640 | 62566 | Panel Canopy | 1 |
| 9 | 62613 | 62613 | Panel Control Blank | 1 |
| 10 | 62585 | 62585 | Panel Upper Front R. H. | 1 |
| 11 | 62587 | 62587 | Panel Top R. H. | 1 |
| 12 | 62588 | 62588 | Panel Lower Front/Rear R. H. * | 2 |
| 13 | 62546 | 62546 | Panel Upper L. H. | 1 |
| 14 | 62584 | 62584 | Panel Lower L. H. | 1 |
| 15 | 62591 | 62591 | Panel Side R. H. | 1 |
| 16 | 62990 | 62590 | Panel Inside R. H. | 1 |
| 17 | 62989 | 62589 | Panel Inside L. H. | 1 |
| 18 | 62641 | 62564 | Plexiglas, Front | 1 |
| 19 | 62648 | 62625 | Plexiglas, Rear | 1 |

When ordering be sure to specify the following:

- A the equipment's serial number
- B front or rear; left-hand or right-hand
- C 3" x 5" sample paint chip, 2 pieces per color.